

*Milf*  
**OUTDOOR  
LIVING**

MILLI

LIVE

# INOX

Live a beautiful life outdoors. The Milli Inox shower and tapware collection celebrates our love of the sun, enhancing the sacred spaces outside the home. Milli Inox delivers a choice of designs built from 316 Marine Grade Stainless Steel.

OUTDOOR LIVING

MILLI

# OUTDOOR SHOWERS



## OUTDOOR SHOWERS

Inspired design details place Milli Inox outdoor showers in a class of their own. From the immersive experience of an oversize shower rose, to the intelligent option of a dedicated foot wash, Milli outdoor showers enrich every moment. Simply the perfect addition for seaside and coastal homes.



Integrated shower mixer and inbuilt diverter directs water to either the overhead shower or hand shower.

XONI

### Inox Freestanding Twin Shower

316 Marine Grade Stainless Steel  
WELS 3 Star, 8.5 litres/minute  
Slimline hand shower  
Robust base plate  
1.5m flexible shower hose  
Floor inlet

### Inox Freestanding Twin Rail Shower with Overhead Shower

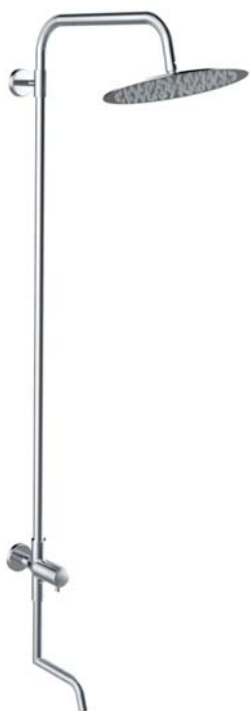
316 Marine Grade Stainless Steel  
WELS 3 Star, 8.5 litres/minute  
300mm overhead shower  
Slimline hand shower  
Robust base plate  
1.5m flexible shower hose  
Floor inlet

### Inox Wall Mounted Twin Rail Shower with Overhead Shower

316 Marine Grade Stainless Steel  
WELS 3 Star, 8.5 litres/minute  
300mm overhead shower  
Slimline hand shower  
1.5m flexible shower hose  
Bottom inlets

**316 MARINE  
GRADE  
STAINLESS  
STEEL  
DESIGNED  
FOR THE  
OUTDOORS**

## OUTDOOR SHOWER



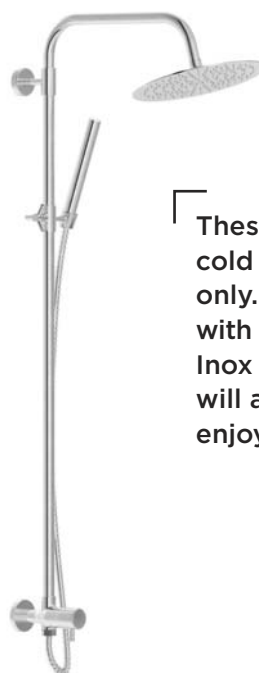
### **Inox Overhead Rail Shower + Foot Wash**

316 Marine Grade Stainless Steel  
WELS 3 Star, 8.5 litres/minute  
250mm overhead shower  
Bottom inlet



### **Inox Overhead Rail Shower**

316 Marine Grade Stainless Steel  
WELS 3 Star, 9 litres/minute  
250mm overhead shower  
Bottom inlet



### **Inox Overhead Rail Shower with Hand Shower**

316 Marine Grade Stainless Steel  
WELS 2 Star, 10 litres/minute  
Slimline hand shower  
250mm overhead shower  
1.5m flexible shower hose  
Bottom inlet

These showers are cold water supply only. Pairing them with a complementing Inox Shower Mixer will allow you to enjoy warm water.



### **Inox Rail Shower**

316 Marine Grade Stainless Steel  
WELS 3 Star, 9 litres/minute  
Slimline hand shower  
1.5m flexible shower hose



### **Inox Overhead Shower**

316 Marine Grade Stainless Steel  
WELS 3 Star, 8.5 litres/minute  
250mm overhead shower

Retrofit to even the most compact of outdoor spaces. Pair with an Inox shower mixer (sold separately).

OUTDOOR LIVING

MILLI

# OUTDOOR ENTERTAINING





## OUTDOOR ACCESSORIES

A beautiful life outdoors is all about the shared moments. This collection combines fun and function to make your home the hero when entertaining. From the foot wash to rinse off after the beach, to the sink mixer designed for the outdoor kitchen, Milli Outdoor will keep the fun flowing.



### Inox Sink Mixer

316 Marine Grade Stainless Steel  
WELS 5 star, 5.5 litres/minute



### Inox Basin Mixer

316 Marine Grade Stainless Steel  
WELS 5 Star, 5.5 litres/minute



### Inox Extended Basin Mixer

316 Marine Grade Stainless Steel  
WELS 5 star, 5.5 litres/minute



### Inox Foot Wash

316 Marine Grade Stainless Steel  
WELS 5 star, 5.5 litres/minute  
62mm backplate



### Inox Shower Mixer

316 Marine Grade Stainless Steel  
180mm diameter backplate  
Comes with both large and small backplate



### Inox Shelf

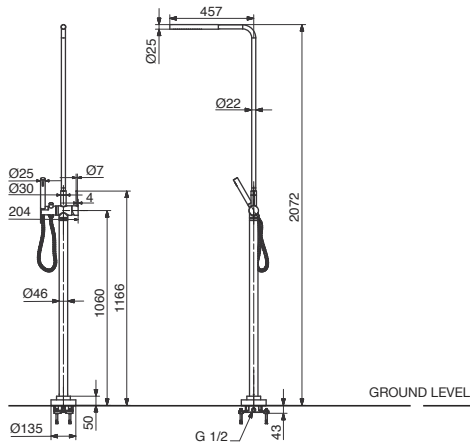
316 Marine Grade Stainless Steel  
Solid Stainless Steel Construction



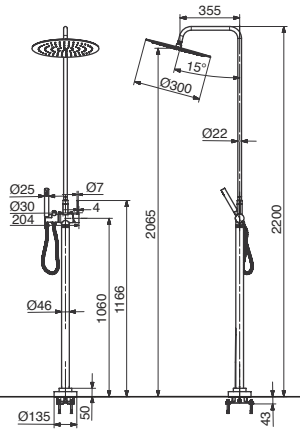
### Inox Robe Hook

316 Marine Grade Stainless Steel  
Solid Stainless Steel Construction

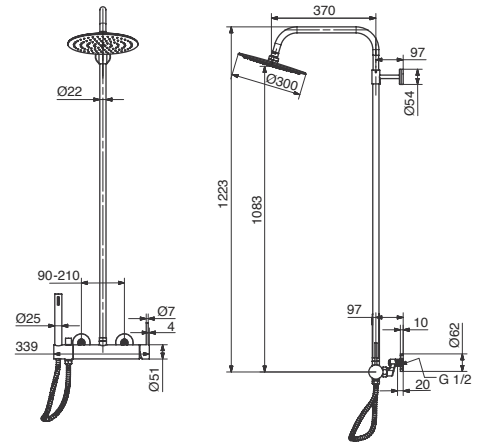
# OUTDOOR SHOWERS



Inox Freestanding Twin Shower

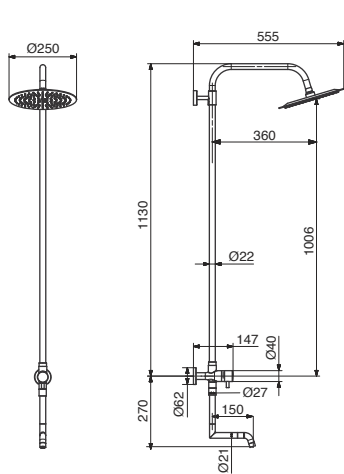


Inox Wall Mounted Twin Rail Shower with Overhead Shower

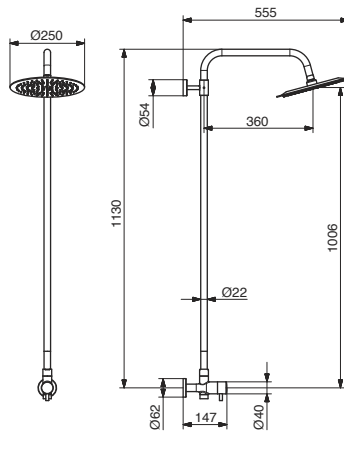


Inox Wall Mounted Twin Rail Shower with Overhead Shower

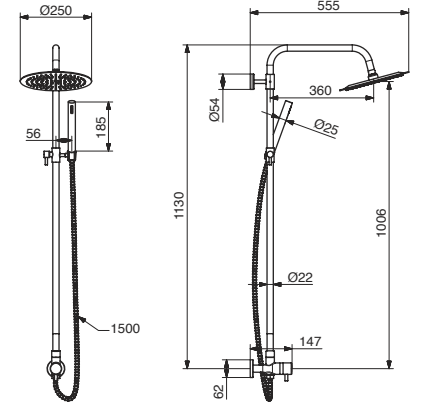
MILLI



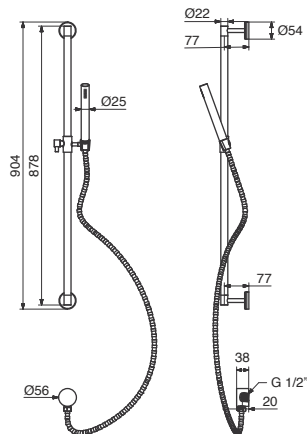
Inox Overhead Rail Shower + Foot Wash



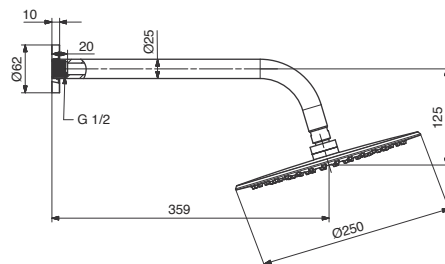
Inox Overhead Rail Shower



Inox Overhead Rail Shower with Hand Shower

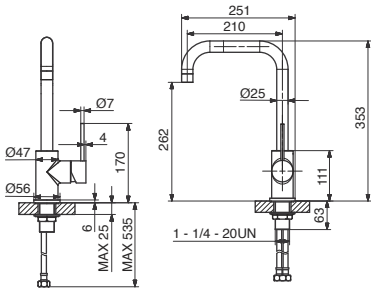


Inox Rail Shower

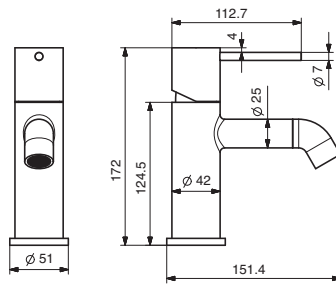


Inox Overhead Shower

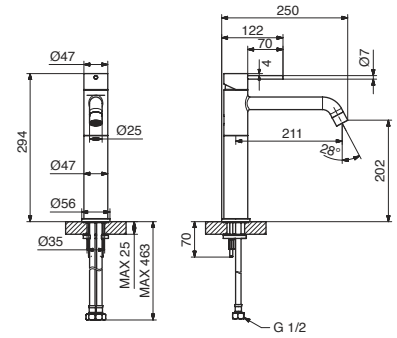
# OUTDOOR ACCESSORIES



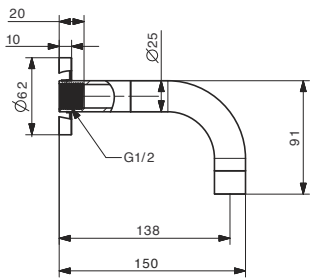
Inox Sink Mixer



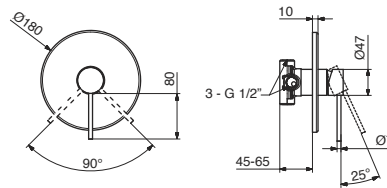
Inox Basin Mixer



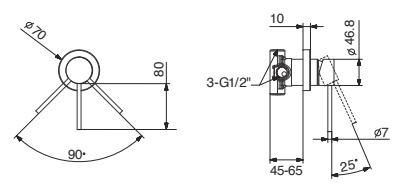
Inox Extended Basin Mixer



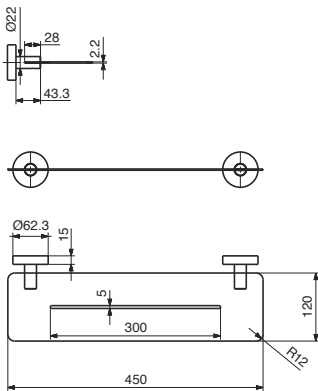
Inox Foot Wash



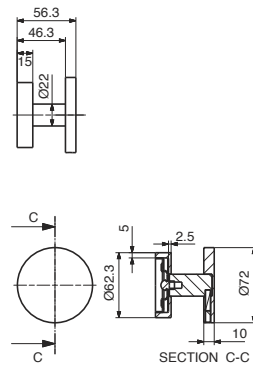
Inox Shower Mixer  
- Large Backplate



Inox Shower Mixer  
- Small Backplate



Inox Shelf



Inox Robe Hook



## *Bathroom Happiness™*

Visit any one of our showrooms in Australia or New Zealand for all the latest products, concepts and inspiration to make your bathroom whatever you want it to be. And for the ultimate bathroom experience, go to one of our bathroom life™ stores where you will find the biggest range of leading international brands. For our nearest bathroom showroom:

**AUS:** visit [www.reece.com.au](http://www.reece.com.au) **NZ:** Visit [www.reece.co.nz](http://www.reece.co.nz)

Due to limitations in the printing process the colours in this brochure are a guide only. The manufacturer/distributor reserves the right to vary specifications or delete models from their range without prior notification. The manufacturer/distributor takes no responsibility for printing errors. Milli Tapware, Accessories and Showers enjoy a 7 year product warranty and a one year parts and labour warranty – domestic use only.

V4 [BROCHURE CODE 2104131]

Milli

reece™